

# 2MP Mini Fixed Bullet Network Camera

IPC2122SR3-PF40 (60)-B



## Key Features

### Optics

- Day/night functionality
- Smart IR , up to 30 m (98 ft) IR distance
- Optical glass window with higher light transmittance
- IR anti-reflection window to increase the infrared transmittance
- 3D DNR (Digital Noise Reduction)

### Compression

- H.265, H.264, MJPEG
- Embedded smart algorithm
- Triple streams
- 9:16 corridor format

### Network

- ONVIF Conformance

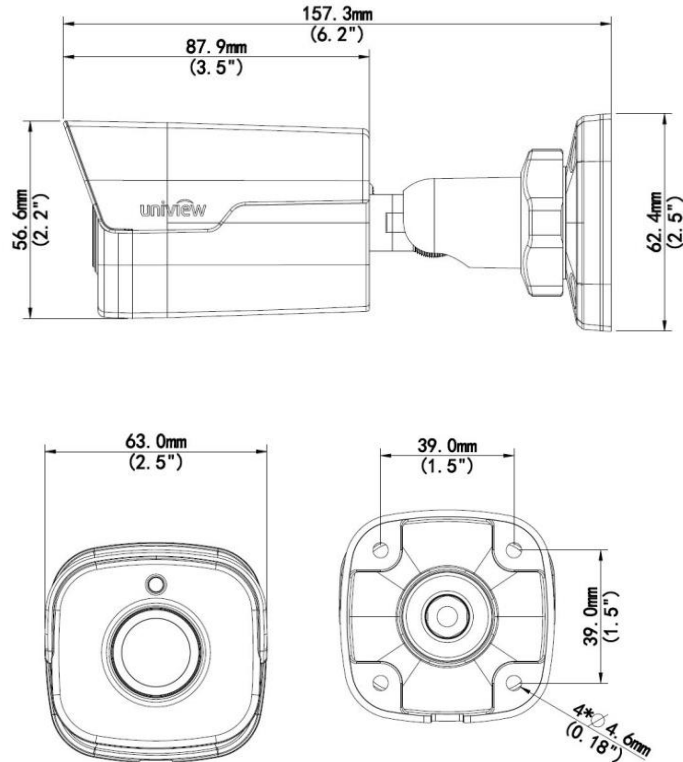
### Structure

- Wide temperature range: -35°C to 60°C (-31°F to 140°F)
- Wide voltage range of  $\pm 25\%$
- IP66

## Specifications

	IPC2122SR3-PF40-B	IPC2122SR3-PF60-B
<b>Camera</b>		
Sensor	1/2.7", 2.0 megapixel, progressive scan, CMOS	
Lens	4.0mm@F1.8	6.0mm@F1.8
Angle of View(H)	80.8°	54.9°
Shutter	Auto/Manual, 1/6~1/8000 s	
Min. Illumination	Colour: 0.02 Lux (F1.8, AGC ON) 0 Lux with IR on	
IR Range	Up to 30m (98 ft) IR range	
Day/Night	IR-cut filter with auto switch (ICR)	
S/N	>52dB	
WDR	Digital	
Noise Reduction	2D/3D	
<b>Video</b>		
Max. Resolution	1920×1080	
Video Compression	H.265, H.264, MJPEG	
Frame Rate	1080P (1920*1080): Max. 30 fps; 720P (1280*720): Max. 30 fps; D1 (720*576): Max. 25 fps	
Video Streaming	Triple	
9:16 Corridor Mode	Supported	
ROI	Supported	
OSD	Up to 8 OSDs	
Motion Detection	Up to 2 areas	
Privacy Mask	Up to 8 areas	
<b>Smart</b>		
Behavior Detection	Intrusion, crossing line, motion detection	
Exception Detection	Audio detection	
Intelligent Identification	Face detection	
Statistical Analysis	People counting	
<b>Network</b>		
Protocols	L2TP, IPv4, IGMP, ICMP, ARP, TCP, UDP, DHCP, PPPoE, RTP, RTSP, RTCP, DNS, DDNS, NTP, FTP, UPnP, HTTP, HTTPS, SMTP, 802.1x	
Compatible Integration	ONVIF, API	
<b>Interface</b>		
Network	1 RJ45 10M/100M Base-TX Ethernet	
<b>General</b>		
Power	12 V DC, or PoE (IEEE802.3 af)	
	Power consumption: Max 6.4 W	
Dimensions (L × W × H)	157.3 × 62.4 × 63 mm (6.2" × 2.5" × 2.5")	
Weight	0.45 kg (0.99 lb)	
Working Environment	-35°C ~ +60°C (-31°F ~ 140°F), Humidity ≤ 95% RH(non-condensing)	
Ingress Protection	IP66	

## Dimensions



## Accessories

Installation mode	Accessories	Description
Wall mount	\	Mounting pedestal is included in the Product package
Ceiling mount	\	Mounting pedestal is included in the Product package

### Zhejiang Uniview Technologies Co., Ltd.

Building No.10, Wanlun Science Park, Jiangling Road 88, Binjiang District, Hangzhou, Zhejiang, China (310051)

Email: [overseasbusiness@uniview.com](mailto:overseasbusiness@uniview.com); [globalsupport@uniview.com](mailto:globalsupport@uniview.com)

<http://www.uniview.com>

©2016 Zhejiang Uniview Technologies Co., Ltd. All rights reserved.

\*Product specifications and availability are subject to change without notice.